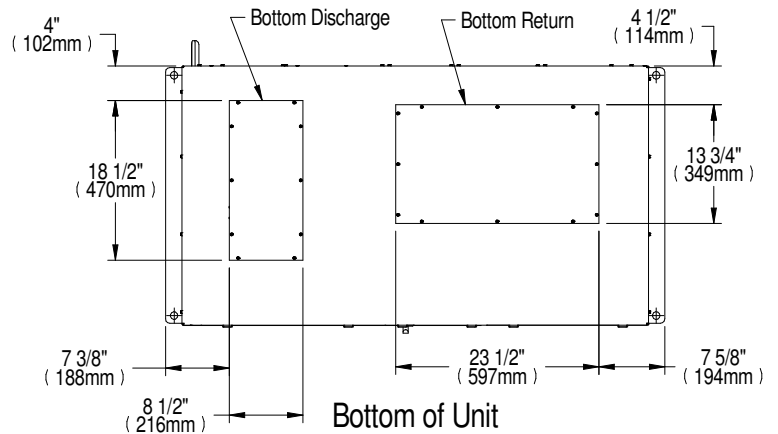
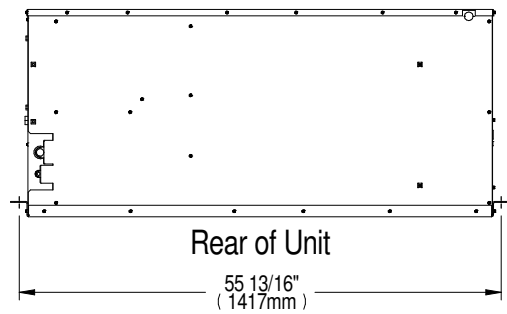
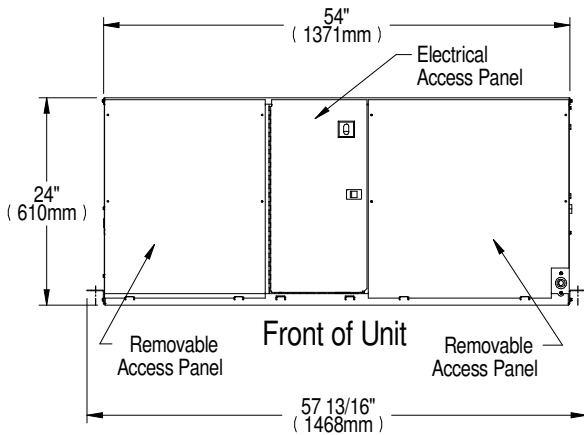
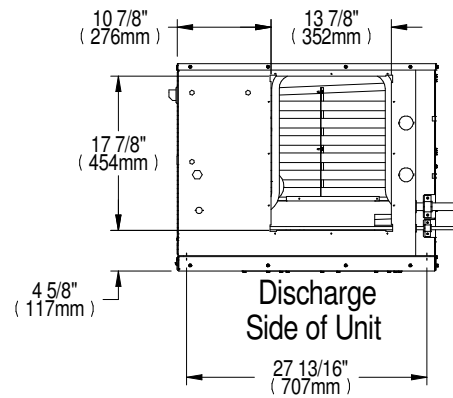
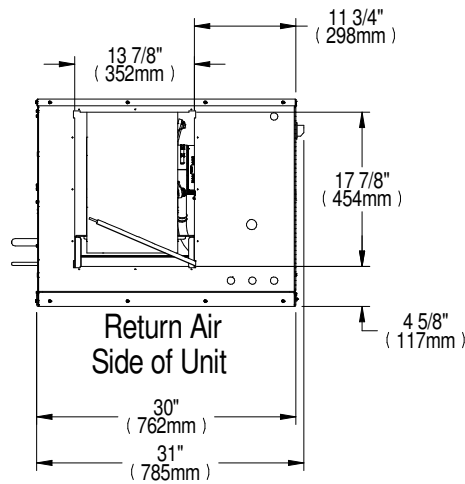
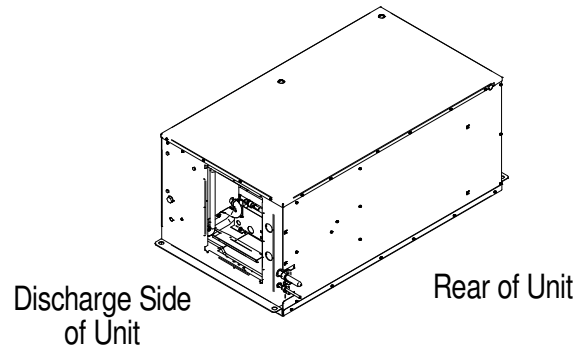
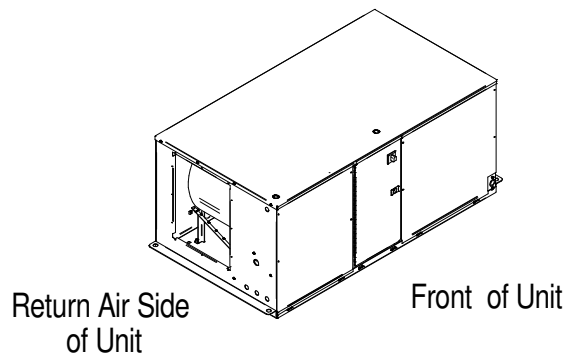




# LIEBERT® MINI-MATE VARIABLE CAPACITY

## CABINET DIMENSIONAL DATA 3 TON DIRECT EXPANSION FAN/COIL MODULE

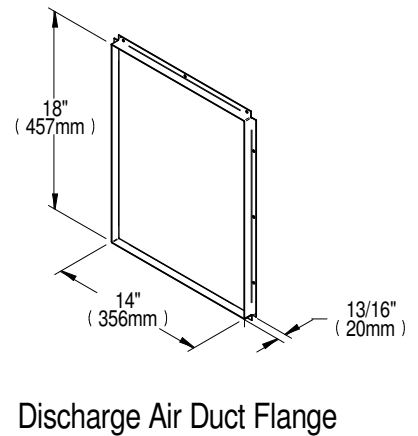
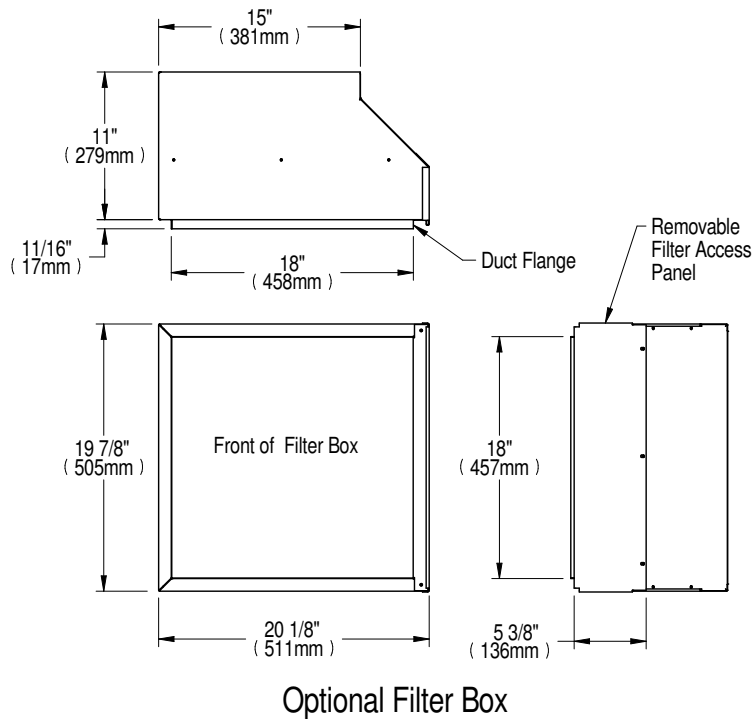
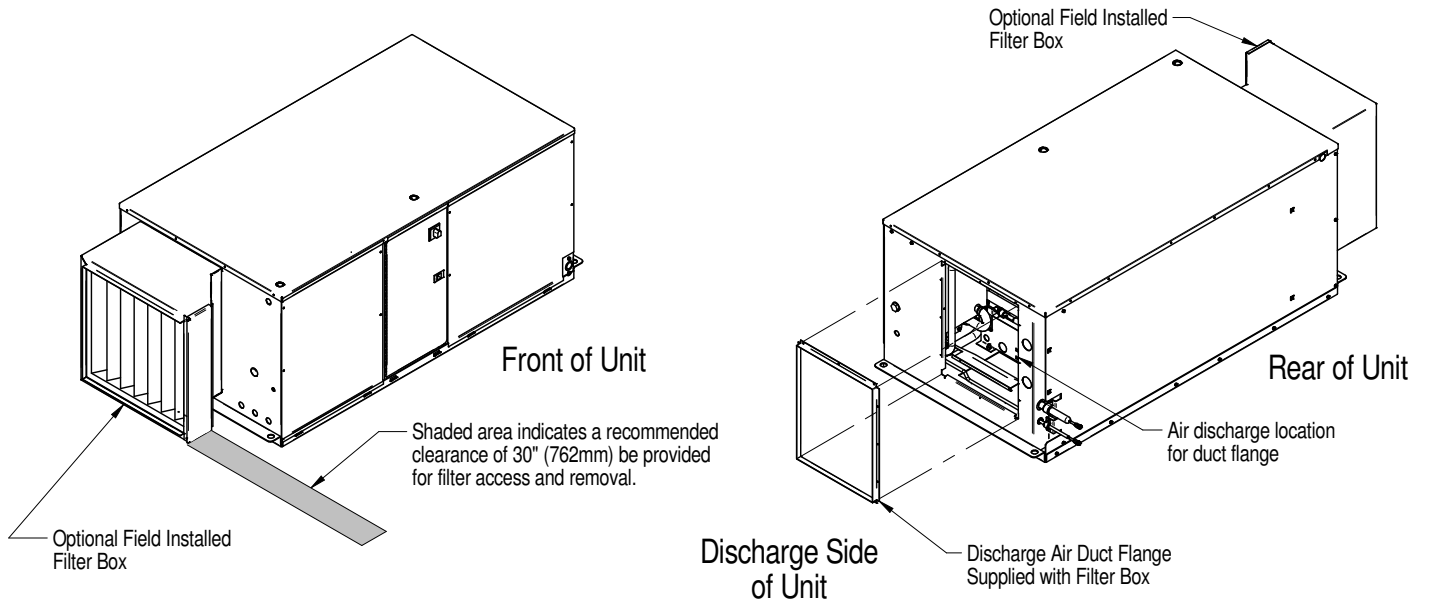


MODEL NUMBER	UNIT NET WEIGHT lbs. (kg)
MT036HE1	328 (149)



# LIEBERT MINI-MATE VARIABLE CAPACITY

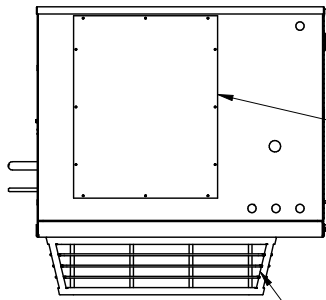
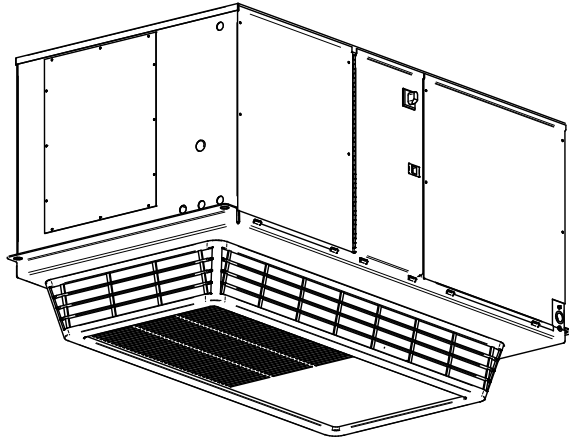
## DIMENSIONAL DATA OPTIONAL FIELD INSTALLED FILTER BOX & DISCHARGE DUCT FLANGE 3 TON MODEL





# LIEBERT MINI-MATE VARIABLE CAPACITY

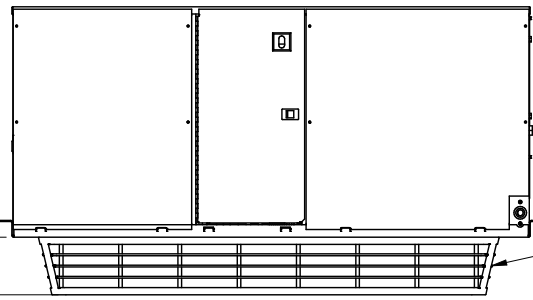
## OPTIONAL FIELD INSTALLED AIR DISTRIBUTION PLENUM 3 TON MODEL



Return Side of Unit

Cover Plate supplied with Plenum

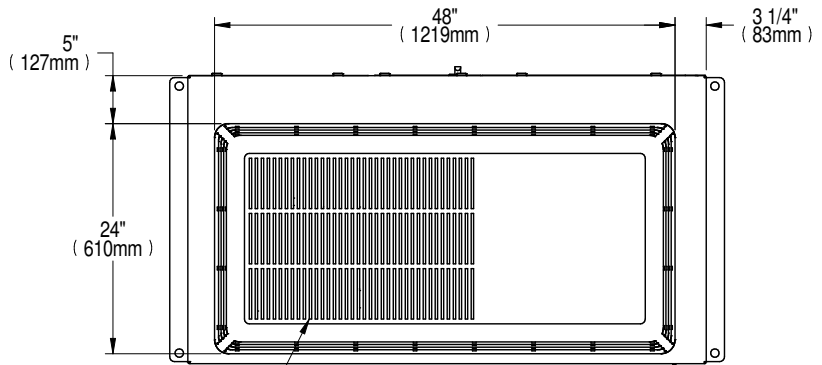
Removable panel on side of plenum. Minimum Clearance 30" (762mm) for filter access and removal.



Front of Unit

Air Discharge out sides of plenum

6"  
(152mm)



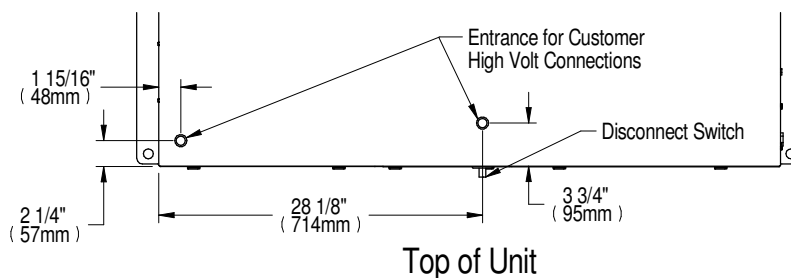
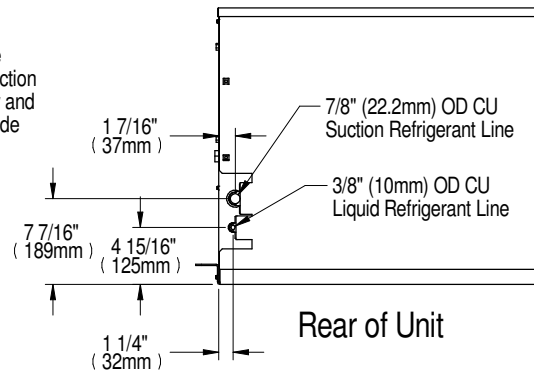
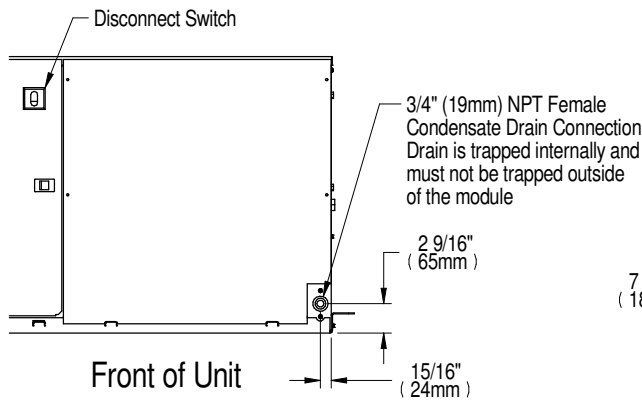
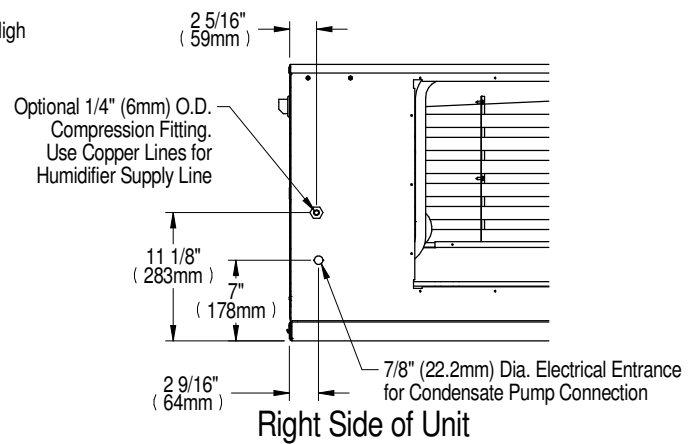
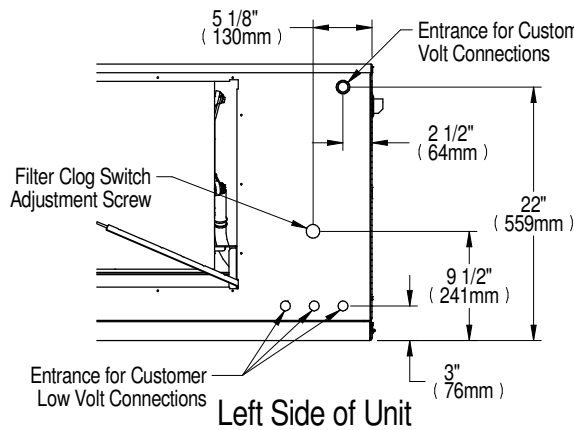
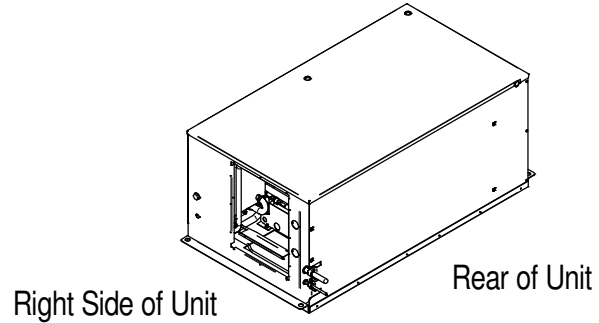
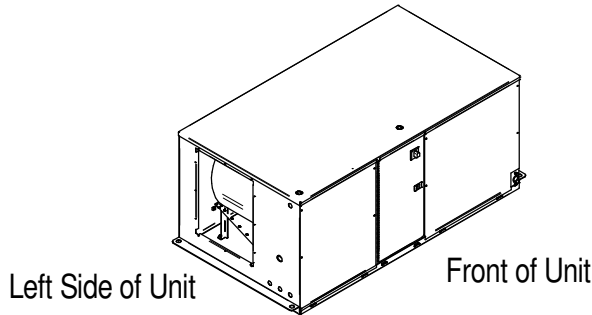
Bottom of Unit

Air Inlet through grille in bottom center of plenum



# LIEBERT® MINI-MATE VARIABLE CAPACITY

## PRIMARY CONNECTION LOCATIONS 3 TON DIRECT EXPANSION FAN/COIL MODULE

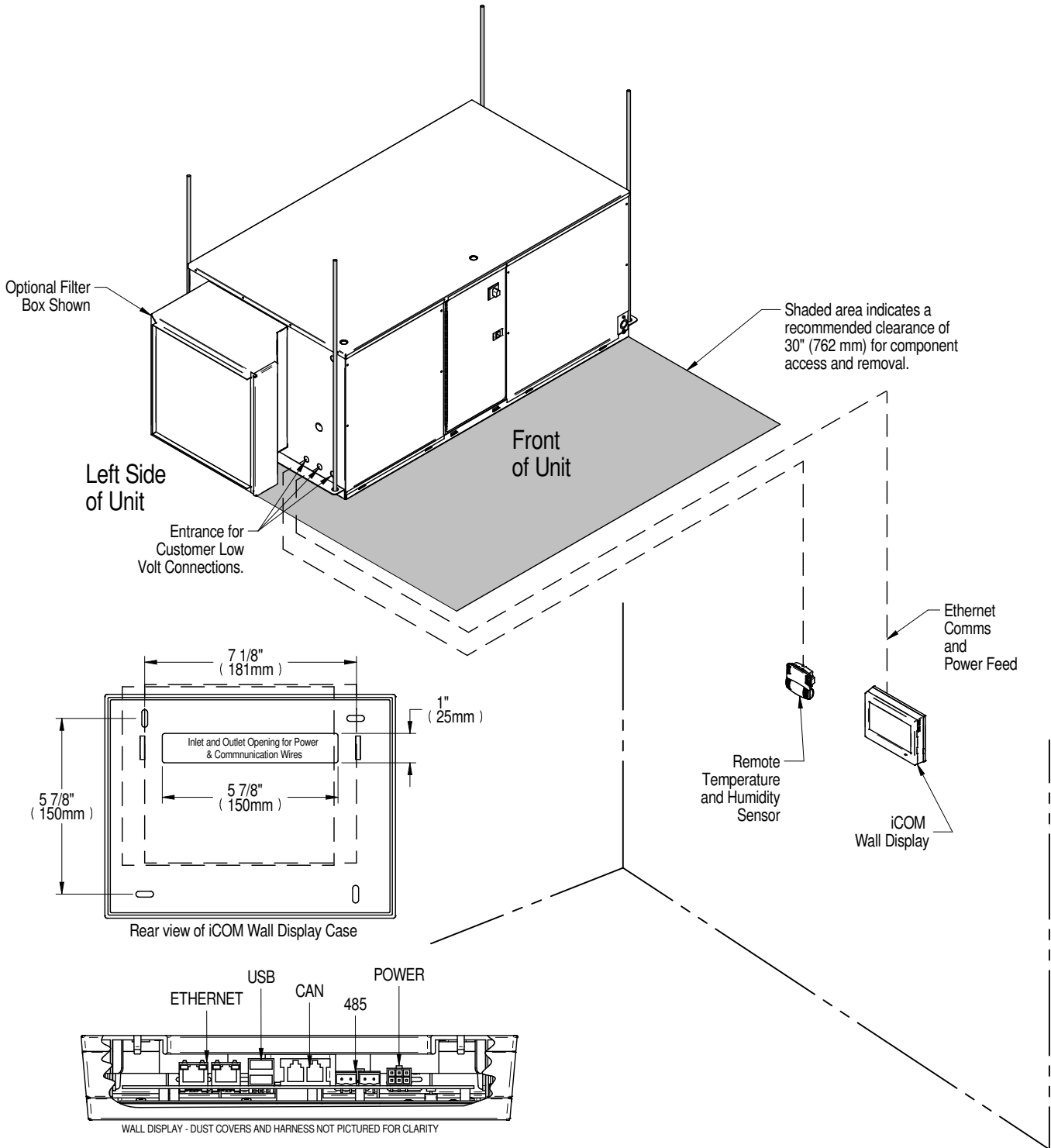




# LIEBERT MINI-MATE VARIABLE CAPACITY

## 3 TON GENERAL ARRANGEMENT, DIMENSIONAL DATA & FIELD CONNECTIONS

### LIEBERT iCOM™ WALLMOUNT DISPLAY



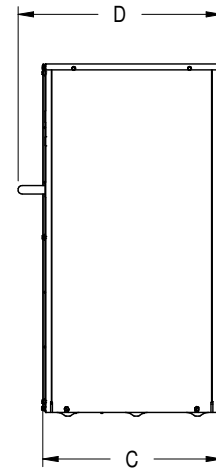
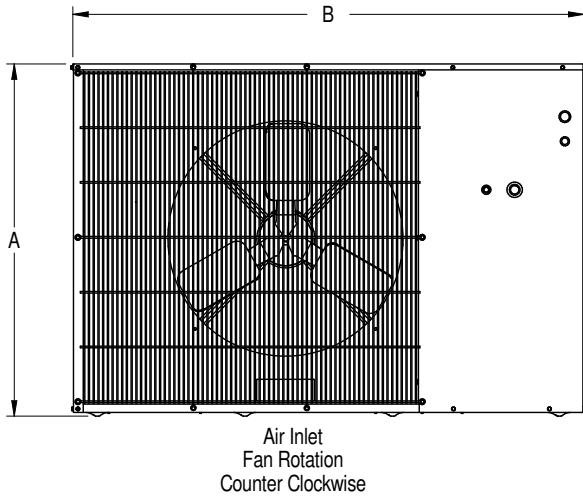
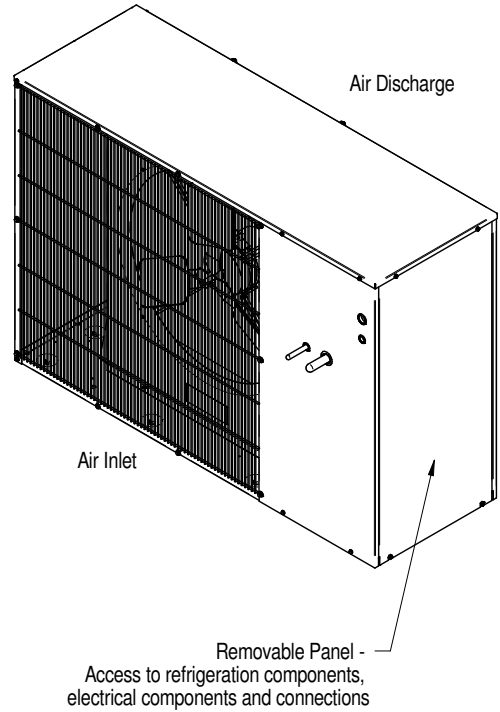
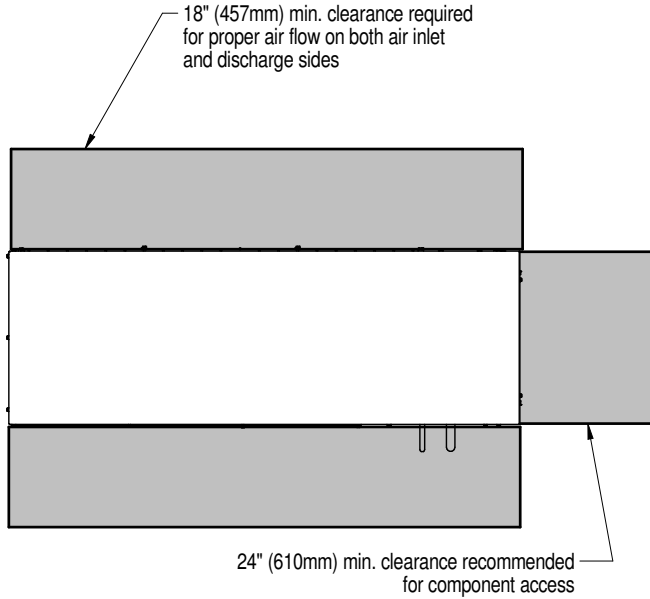
Notes:  
 1. Refer to DPN004802 for connection points on Liebert Mini-Mate unit.

--- Field Provided Wiring  
 --- Wall



# LIEBERT PFD

## CABINET DIMENSIONAL DATA OUTDOOR CONDENSING UNIT W/ HORIZONTAL AIR DISCHARGE

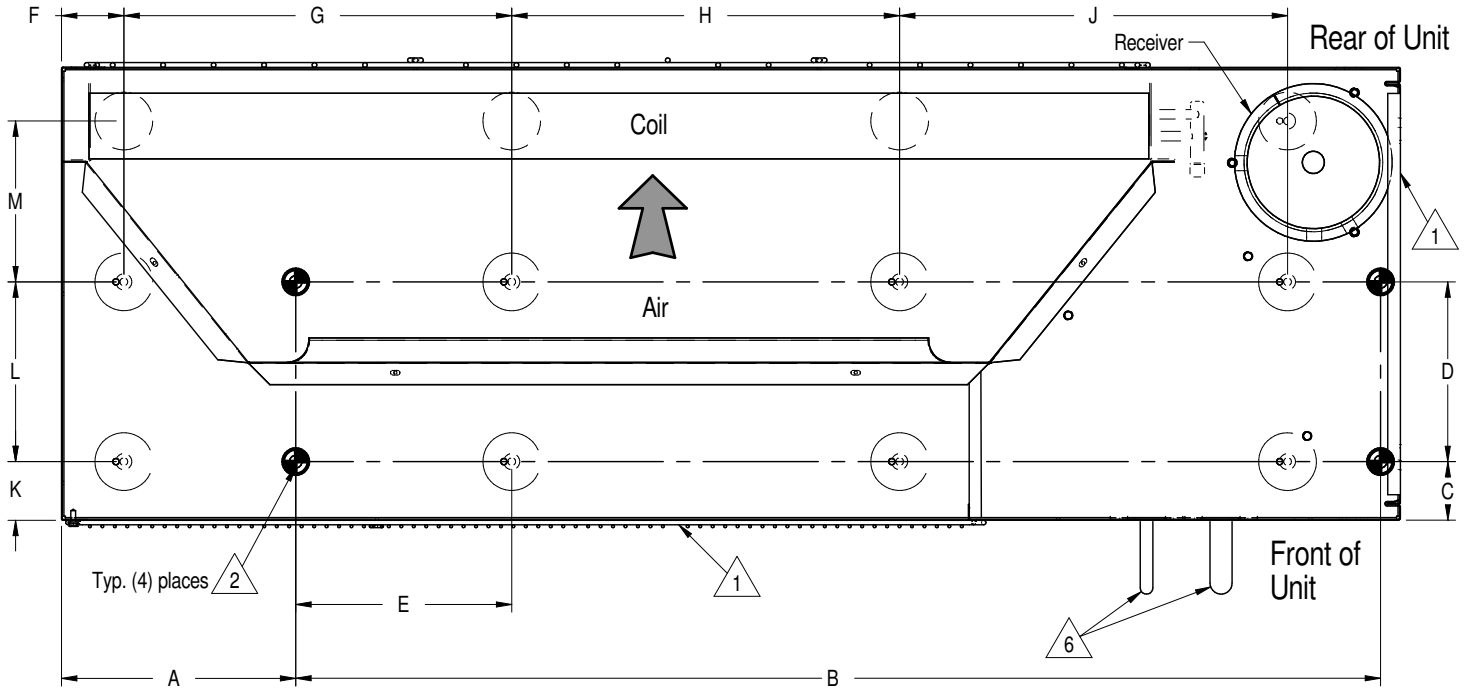


MODEL NUMBERS	UNIT NET WEIGHT lbs. (kg)	DIMENSIONAL DATA in. (mm)			
		A	B	C	D
PFD037A-L	244 (111)	30-3/4 (781)	48-1/4 (1225)	18-5/8 (473)	21-1/4 (540)
PFD037A-H	351 (159)	36-3/4 (933)	53-1/4 (1352)	18-5/8 (473)	21-1/4 (540)
PFD054A-L					
PFD067A-L					



# LIEBERT PFD

## OPTIONAL ANCHORAGE PLAN OUTDOOR CONDENSING UNIT WITH HORIZONTAL AIR DISCHARGE

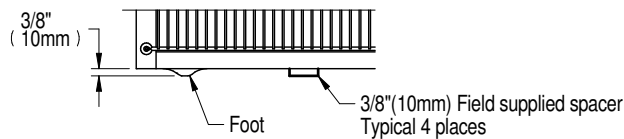


TOP VIEW  
Some Parts not Shown for Clarity

MODEL NUMBERS	DIMENSIONAL DATA in. (mm)											
	A	B	C	D	E	F	G	H	J	K	L	M
PFD037A-L	9-9/16 (243)	37-1/8 (943)	2-1/4 (57)	7-1/8 (181)	6-1/8 (156)	2-9/16 (65)	13-1/8 (333)	14-3/4 (375)	13-1/4 (337)	2-1/4 (57)	7-1/8 (181)	6-3/8 (162)
PFD037A-H												
PFD054A-L	9-5/16 (236)	43 (1092)	2-5/16 (58)	7-1/8 (181)	8-19/16 (217)	2-1/2 (63)	15-1/16 (383)	15-11/16 (398)	15-3/8 (391)	2-5/16 (58)	7-1/8 (181)	6-3/8 (162)
PFD067A-L												

Notes:

1. Front Grille and Right End Panel will need to be removed to access anchor holes. Top panel may be removed for additional access. All removed parts must be reinstalled.
2. 1/2" (13mm) Diameter hole, use for unit anchor.
3. All dimensions have a tolerance of  $\pm 1/16"$ .
4. F, G, H, J, K, L and M dimensions are for the foot locations.
5. The use of this anchor plan is optional and installer will assume responsibility for suitable anchorage.
6. Supply and return piping connections.

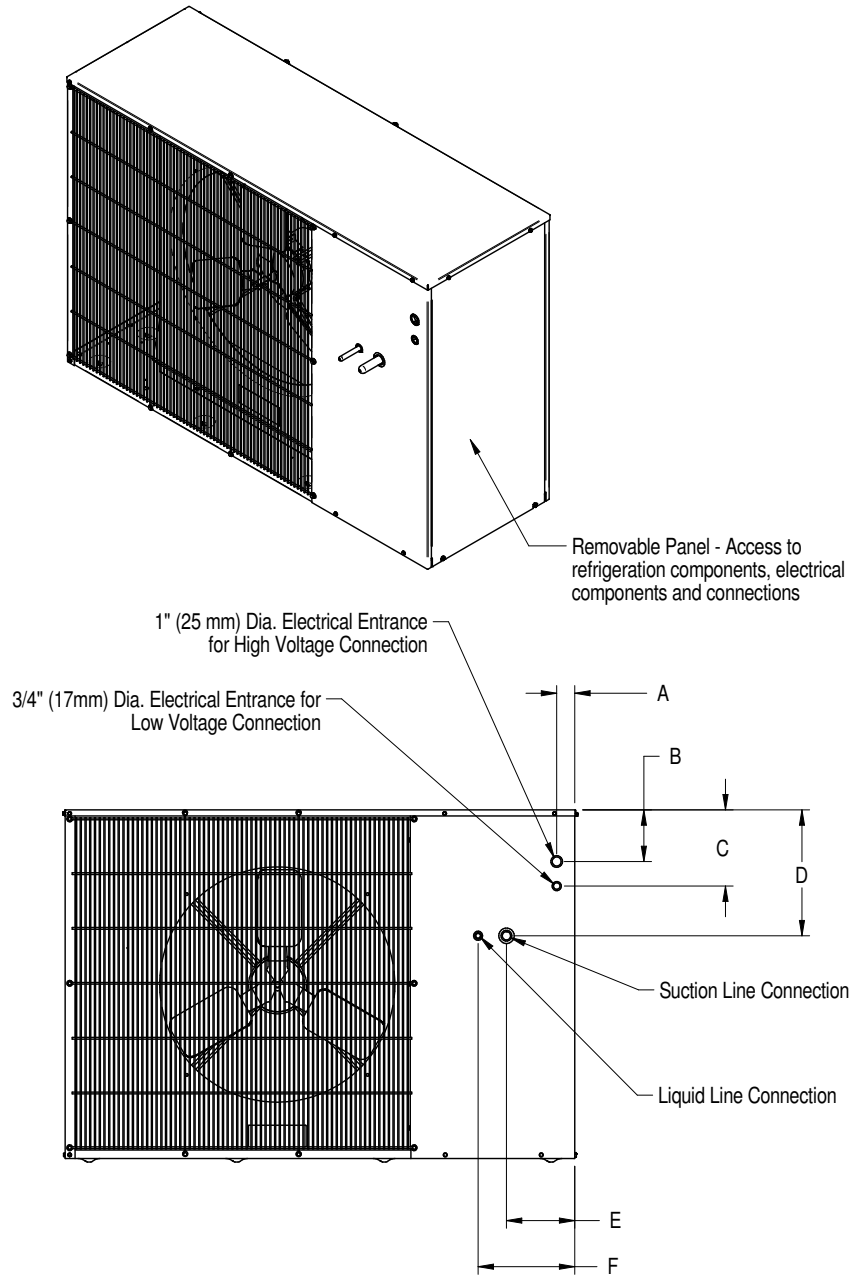


PARTIAL FRONT VIEW



# LIEBERT PFD

## PRIMARY CONNECTION LOCATIONS CONDENSING UNIT W/ HORIZONTAL AIR DISCHARGE



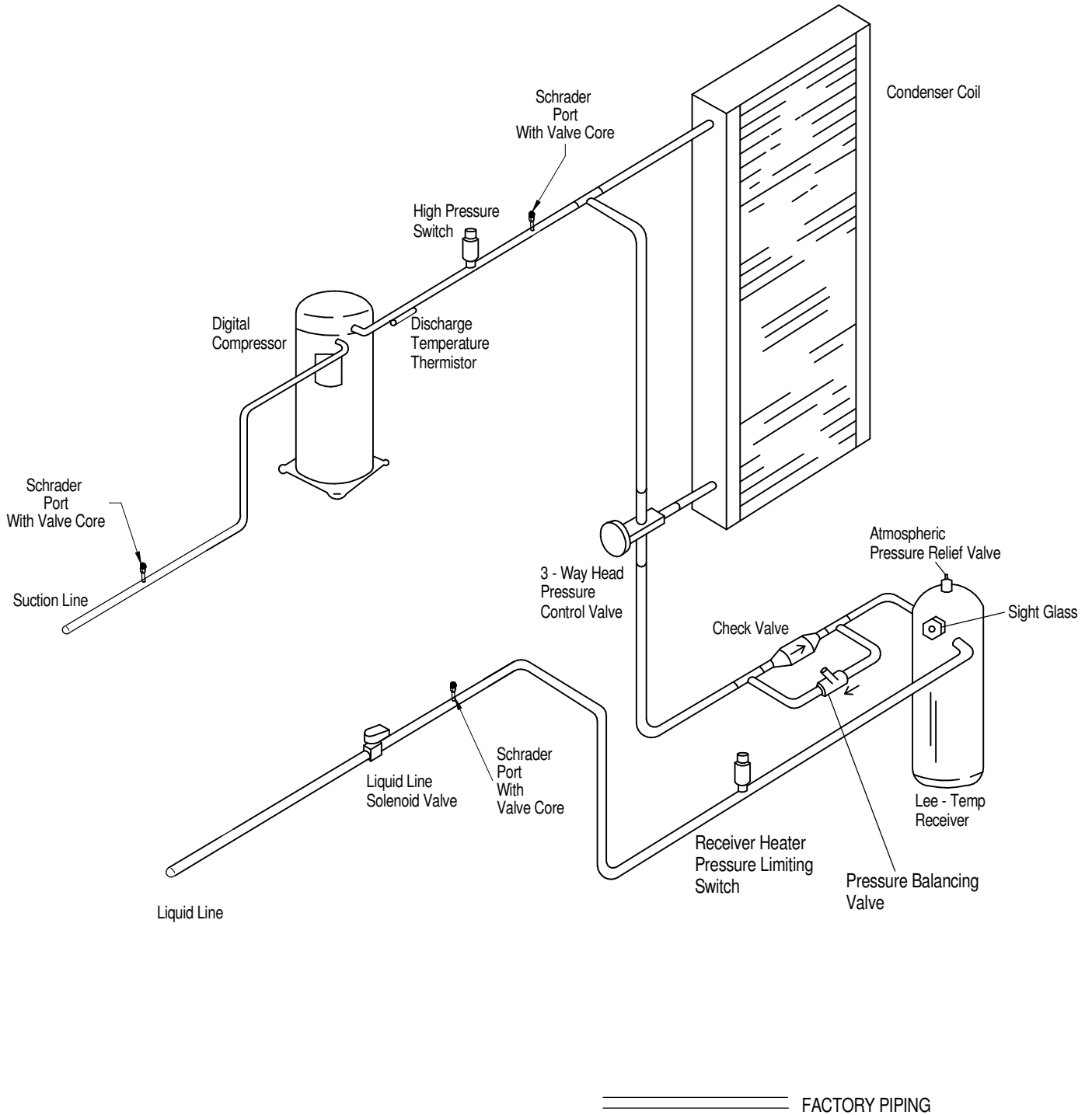
MODEL NUMBERS	ELECTRICAL CONNECTIONS in. (mm)			PIPING CONNECTION LOCATION in. (mm)			PIPING CONNECTION SIZES O.D. CU	
	A	B	C	D	E	F	G	H
PFD037A-L	2 (51)	5-3/4 (146)	8-1/2 (216)	6 (152)	7-1/2 (191)	10-1/2 (267)	3/4"	3/8"
PFD037A-H	2 (51)	5-1/2 (140)	8 (203)	13-1/4 (337)	7-1/4 (184)	10 (254)	7/8"	1/2"
PFD054A-L								
PFD067A-L								





# LIEBERT PFD

## GENERAL PIPING ARRANGEMENT CONDENSING UNIT





# LIEBERT AIR COOLED SYSTEMS

## RECOMMENDED REFRIGERANT LINE SIZES CU, OD LIEBERT AIR-COOLED SYSTEMS USING R-410A

System Fluid : R-410A		Any Compressor Type					
Indoor Model	Equivalent Length	50 ft (15m)	100 ft (30m)	150 ft (45m)	300 ft (91m)	450ft (137m)	
CR019RA/ CR020RA	Hot Gas Line, in.	3/4	3/4	3/4	7/8 <sup>2</sup>		
	Liquid Line, in.	5/8	5/8	5/8	3/4		
CR035RA	Hot Gas Line, in.	7/8	7/8	7/8	1-1/8 <sup>2</sup>		
	Liquid Line, in.	3/4	3/4	3/4	7/8		
PX011	Hot Gas Line, in.	1/2	5/8 <sup>2</sup>	5/8 <sup>2</sup>	5/8 <sup>2</sup>		
	Liquid Line, in.	3/8	1/2	1/2	1/2		
PX018	Hot Gas Line, in.	5/8	5/8	5/8	3/4 <sup>2</sup>		
	Liquid Line, in.	1/2	1/2	1/2	5/8		
PX023	Hot Gas Line, in.	3/4	3/4	3/4	7/8 <sup>2</sup>		
	Liquid Line, in.	5/8	5/8	5/8	5/8		
PX029	Hot Gas Line, in.	7/8	7/8	7/8	1-1/8 <sup>2</sup>		
	Liquid Line, in.	5/8	5/8	5/8	3/4		
DA050 / DA080/ DA085	Hot Gas Line, in.	1-1/8	1-1/8	1-1/8	1-1/8		1-1/8 <sup>3</sup>
	Liquid Line, in.	7/8	7/8	7/8	7/8		7/8 <sup>3</sup>
DA125	Hot Gas Line, in.	1-3/8	1-3/8	1-3/8	1-3/8	1-3/8 <sup>3</sup>	
	Liquid Line, in.	7/8	7/8	7/8	7/8	7/8 <sup>3</sup>	
DA150	Hot Gas Line, in.	1-3/8	1-3/8	1-3/8	1-3/8	1-3/8 <sup>3</sup>	
	Liquid Line, in.	7/8	1-1/8	1-1/8	1-1/8	1-1/8 <sup>3</sup>	
DA165	Hot Gas Line, in.	1-3/8	1-3/8	1-3/8	1-3/8	1-3/8 <sup>3</sup>	
	Liquid Line, in.	7/8	1-1/8	1-1/8	1-1/8	1-1/8 <sup>3</sup>	
DA250 / DA265	Hot Gas Line, in.	1-5/8	1-5/8	1-5/8 <sup>4</sup>	1-5/8 <sup>4</sup>		
	Liquid Line, in.	1-3/8	1-3/8	1-3/8 <sup>4</sup>	1-3/8 <sup>4</sup>		

System Fluid: R-410A		Digital Scroll Models				
Indoor Model	Equivalent Length	50 ft (15m)	75 ft (23m)	100 ft (30m)	125 ft (38m)	150 ft (45m)
MT036	Suction Line, in.	7/8	7/8	7/8	7/8	7/8
	Liquid Line, in.	1/2	1/2	1/2	1/2	1/2
MT048	Suction Line, in.	7/8	1-1/8 <sup>2</sup>	1-1/8 <sup>2</sup>	1-1/8 <sup>2</sup>	1-1/8 <sup>2</sup>
	Liquid Line, in.	1/2	1/2	5/8	5/8	5/8
MT060	Suction Line, in.	1-1/8	1-1/8	1-1/8	1-1/8	1-1/8
	Liquid Line, in.	1/2	5/8	5/8	5/8	5/8

## Notes:

1. Consult factory for proper line sizing for runs longer than maximum equivalent length shown in table.
2. Must downsize vertical riser one trade size (1-1/8" to 7/8" or 7/8" to 3/4" or 3/4" to 5/8" or 5/8" to 1/2").
3. Consult factory when actual pipe length between condenser/Liebert® EconoPhase and Liebert® DSE unit will exceed 300 ft (91 m).
4. Liebert DA250-265 unit can be extended to max 200ft (61m) linear or 300ft. (91m) equivalent.